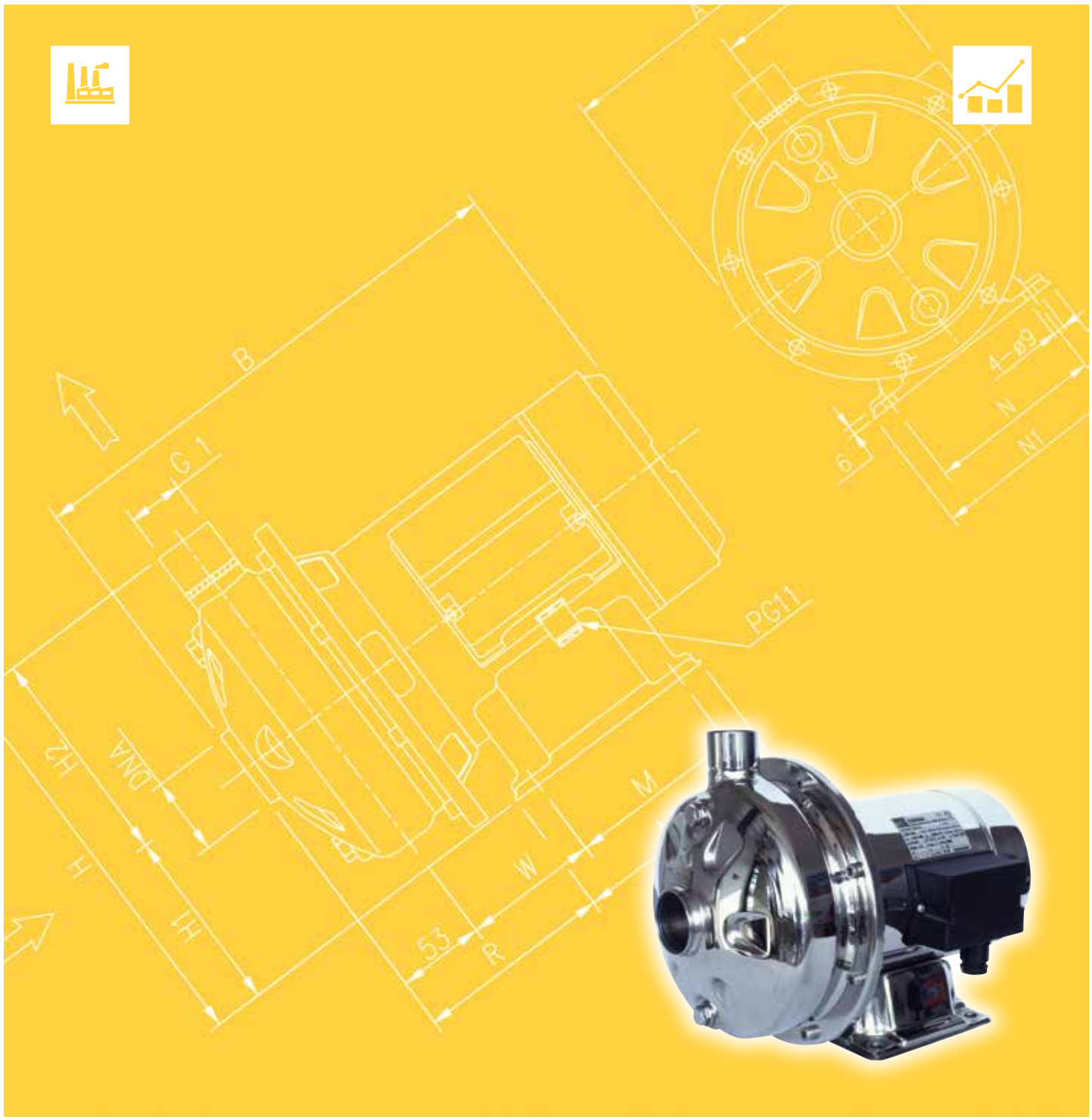




Japanese Technology since 1912

CD

Data Book 50Hz



	Page
- SPECIFICATIONS	200
PERFORMANCE RANGE and SELECTION CHART	201
TYPE KEY	202
CURVE SPECIFICATIONS	203
PERFORMANCE CURVE CD 70	204
PERFORMANCE CURVE CD 90	205
PERFORMANCE CURVE CD 120	206
PERFORMANCE CURVE CD 200	207
- CONSTRUCTIONS	300
SECTIONAL VIEW	300
MECHANICAL SEAL	301
BEARINGS	303
- DIMENSIONS and WEIGHT	400
PUMP	400
PACKING	401
- TECHNICAL DATA	500
MOTOR DATA	500
NOISE DATA	500

SPECIFICATIONS

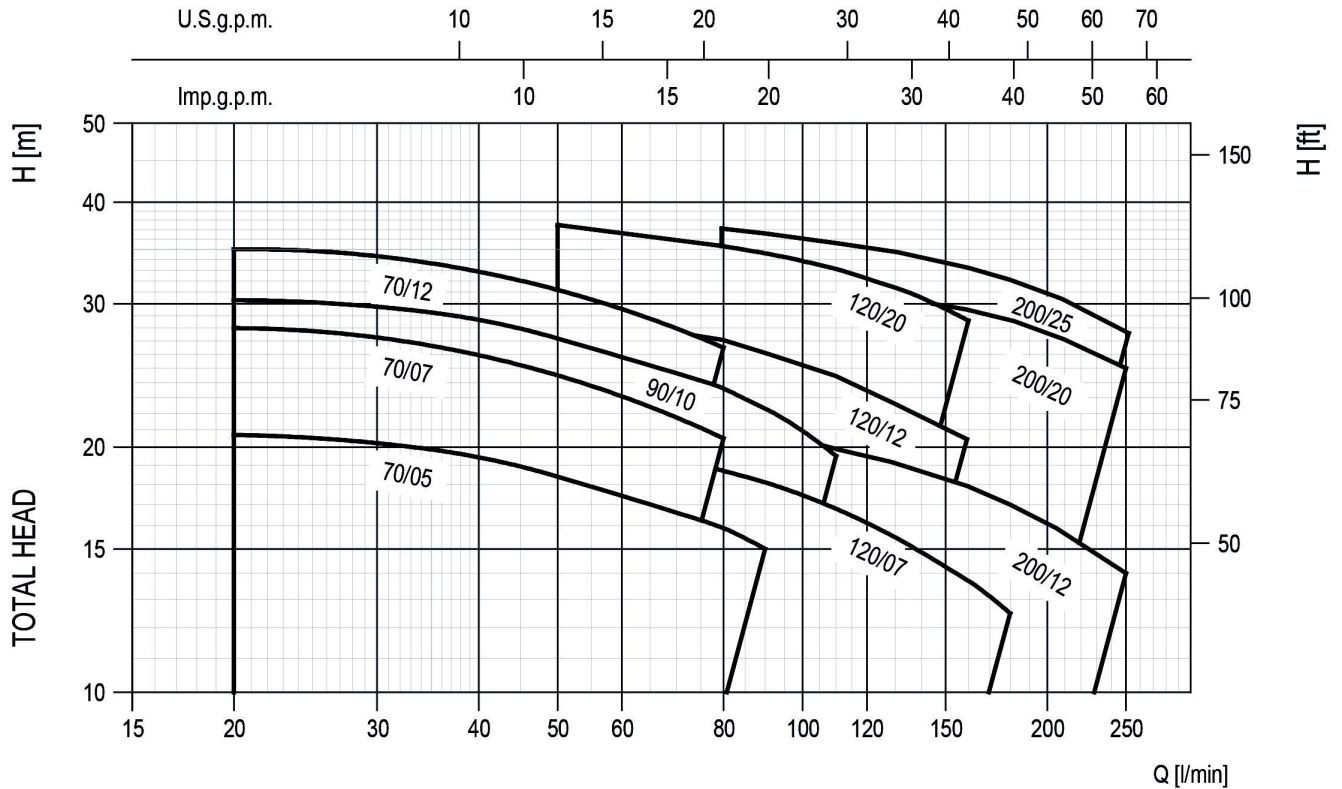
50Hz

Rev. U

PUMP		
Liquid Handled	Type of liquid	Clean water
	Temperature [°C]	min. -5 max. +90 for standard version max. +110 for H – HS - HW – HSW version max. +120 for E, Q1AEGG, VAEGG, U3U3EGG, Q1U3EGG, U3CEGG
Maximum working pressure	[MPa]	0.8
Construction	Impeller	Closed centrifugal type
	Shaft seal type	Mechanical seal
	Bearing	Sealed ball bearing
Pipe Connection	Suction	G1"¼ (G1"½ CD 200) UNI ISO 228-1
	Discharge	G1" UNI ISO 228-1
Material	Casing	EN 1.4301 (AISI 304)
	Impeller	EN 1.4301 (AISI 304)
	Casing cover	EN 1.4301 (AISI 304)
	Shaft seal	Ceramic / Carbon / NBR(for special versions see page 303)
	Shaft	AISI 303 (Wet extension)
	Bracket	EN 1.4301 (AISI 304)
Applicable standard of test		ISO 9906:2012 – Grade 3B

MOTOR		
Type	Electric - TEFC	
	Single Phase	Three Phase
Efficiency level (Reg. 1781/2019)	IE2	IE3
No. of Poles	2	
Rotation speed [min ⁻¹]	≈ 2800	
Insulation Class	F	
Protection degree (CEI EN 60034-5)	IP 55	
Power rating	[kW]	0.37 ÷ 1.5
	[HP]	0.5 ÷ 2
Frequency [Hz]	50	
Voltage [V]	230 ±10%	230/400 ±10%
Capacitor	Built in	-
Over load protection	Built in	Provided by the user
Casing material	EN 1.4301 (AISI 304)	
Base material/motor support	EN 1.4301 (AISI 304)	
Dimensions of cable entry	PG11	

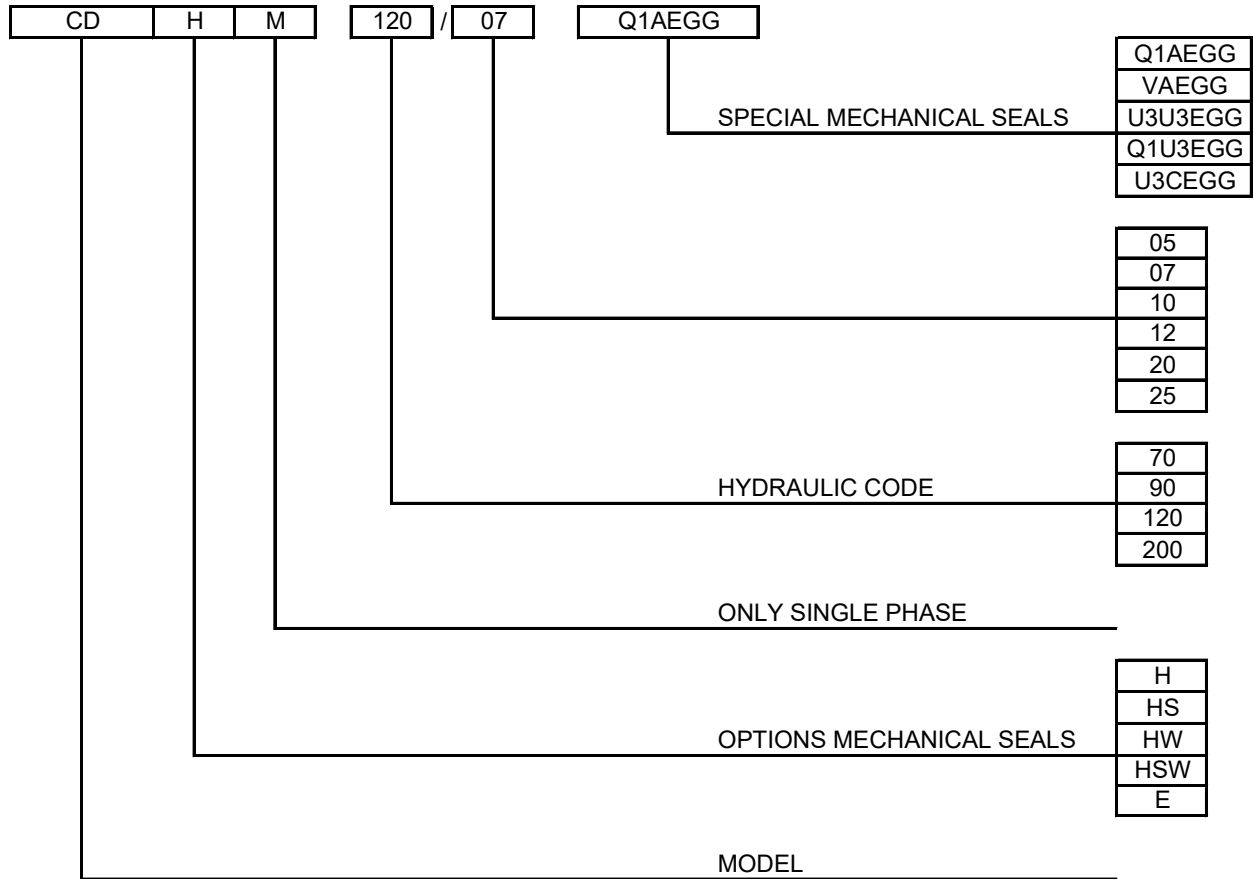
PERFORMANCE RANGE



SELECTION CHART

Pump Type		Q=Capacity											
		l/min	0	20	50	80	90	110	130	160	180	210	250
Single Phase	Three Phase	m³/h	0	1,2	3,0	4,8	5,4	6,6	7,8	9,6	10,8	12,6	15,0
H=Total manometric head in meters													
CDM 70/05	CD 70/05	21.1	20.3	18.3	16.0	15.2	-	-	-	-	-	-	-
CDM 70/07	CD 70/07	29.7	28.1	25.5	22.4	-	-	-	-	-	-	-	-
CDM 70/12	CD 70/12	35.5	33.7	30.7	26.5	-	-	-	-	-	-	-	-
CDM 90/10	CD 90/10	30.5	29.1	26.6	23.4	22.1	19.3	-	-	-	-	-	-
CDM 120/07	CD 120/07	23.1	-	21.1	19.7	19.2	18.2	17.1	15.2	13.8	-	-	-
CDM 120/12	CD 120/12	31.2	-	29.3	27.5	26.8	25.2	23.6	21.0	-	-	-	-
CDM 120/20	CD 120/20	40.5	-	38.5	37.2	36.8	35.8	34.7	32.7	-	-	-	-
CDM 200/12	CD 200/12	22.8	-	-	21.3	21.0	20.4	19.7	18.5	17.6	16.0	14.0	-
CDM 200/20	CD 200/20	34.5	-	-	32.6	32.3	31.7	31.0	30.0	29.2	28.0	26.2	-
-	CD 200/25	41.0	-	-	39.1	38.8	38.0	37.3	36.0	35.0	33.4	30.9	-

TYPE KEY



PERFORMANCE CURVE SPECIFICATIONS

The specifications below qualify the curves shown on the following pages.

Tolerances according to ISO 9906:2012 – Grade 3B

The curves refer to effective speed of asynchronous motors at 50 Hz, 2 poles.

Measurements were carried out with clean water at 20°C of temperature and with a kinematic viscosity of $\nu = 1 \text{ mm}^2/\text{s}$ (1 cSt)

The NPSH curve is an average curve obtained in the same conditions of performance curves.

The continuous curves indicate the recommended working range. The dotted curve is only a guide.

In order to avoid the risk of over-heating, the pumps should not be used at a flow rate below 10% of best efficiency point.

Symbols explanation:

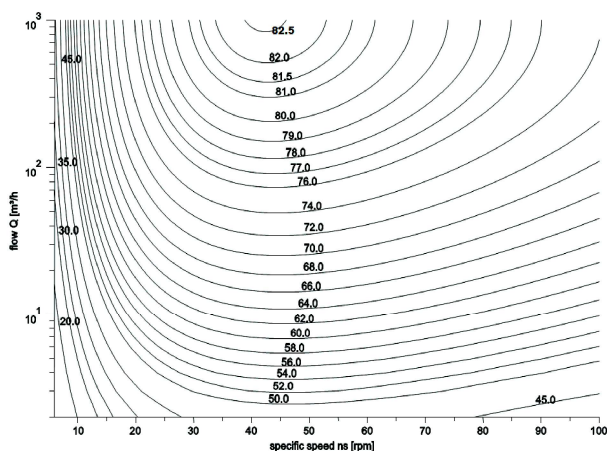
- Q = volume flow rate
- H = total head
- P_2 = pump power input (shaft power)
- η = pump efficiency
- NPSH = net positive suction head required by the pump
- MEI = minimum efficiency index

The minimum efficiency index (MEI) is a measure of the quality of a pump size in respect to its mean efficiency. The minimum efficiency index is based on the hydraulic efficiency and on the head at the best efficiency point.

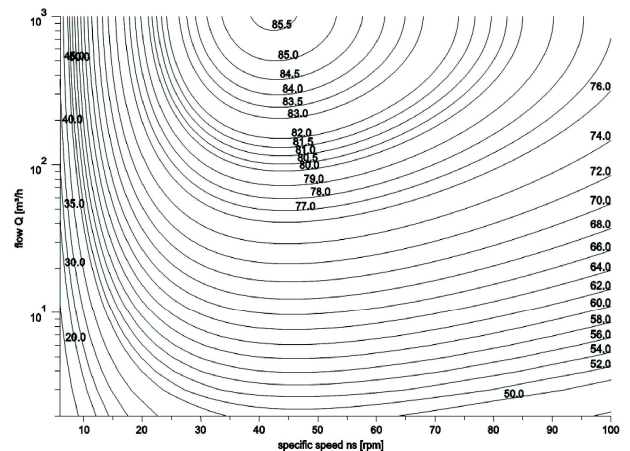
The efficiency of a pump with trimmed impeller is usually lower than that of a pump with the full impeller diameter. The trimming of the impeller will adapt the pump to a fixed duty point, leading to reduced energy consumption. The minimum efficiency index (MEI) is based on the full impeller diameter.

The operation of these water pumps with variable duty points may be more efficient and economic when controlled, for example, by the use of a variable speed drive that matches the pump duty to the system.

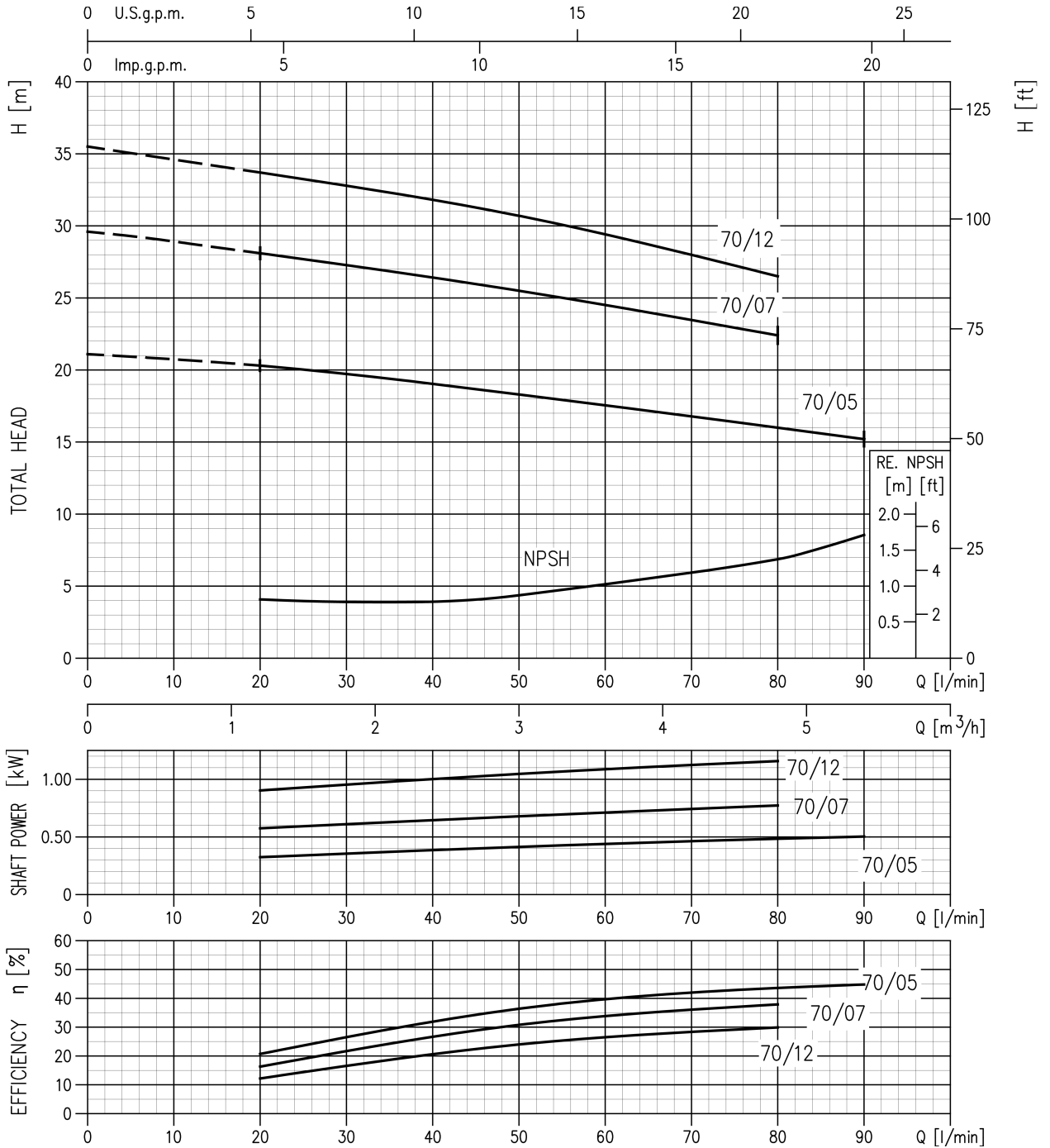
MEI = 0.4 for ESCC 2900 rpm



MEI = 0.7 for ESCC 2900rpm

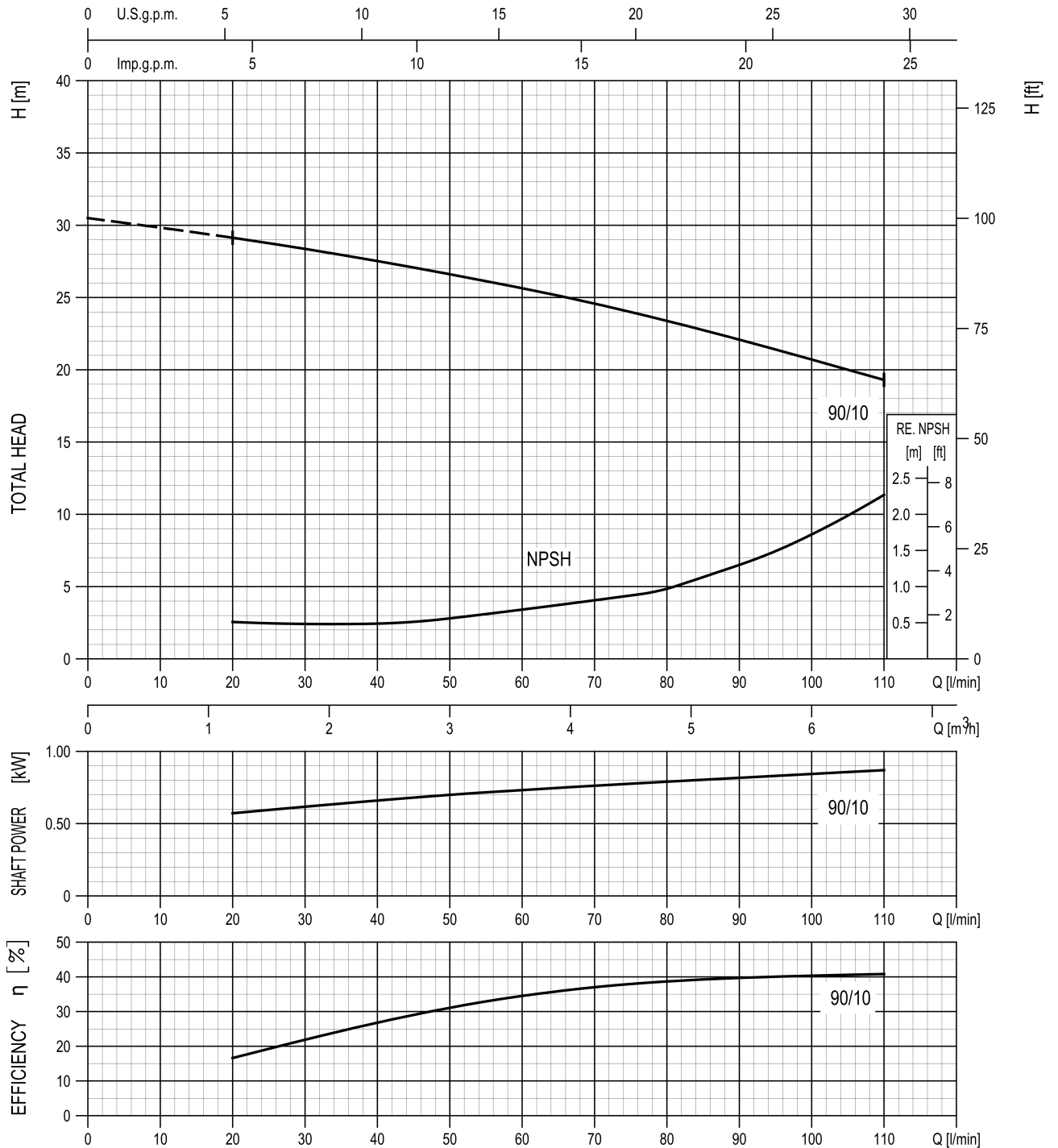


CD 70/05 - Impeller diameter = 132 mm
 CD 70/07 - Impeller diameter = 157 mm
 CD 70/12 - Impeller diameter = 176 mm



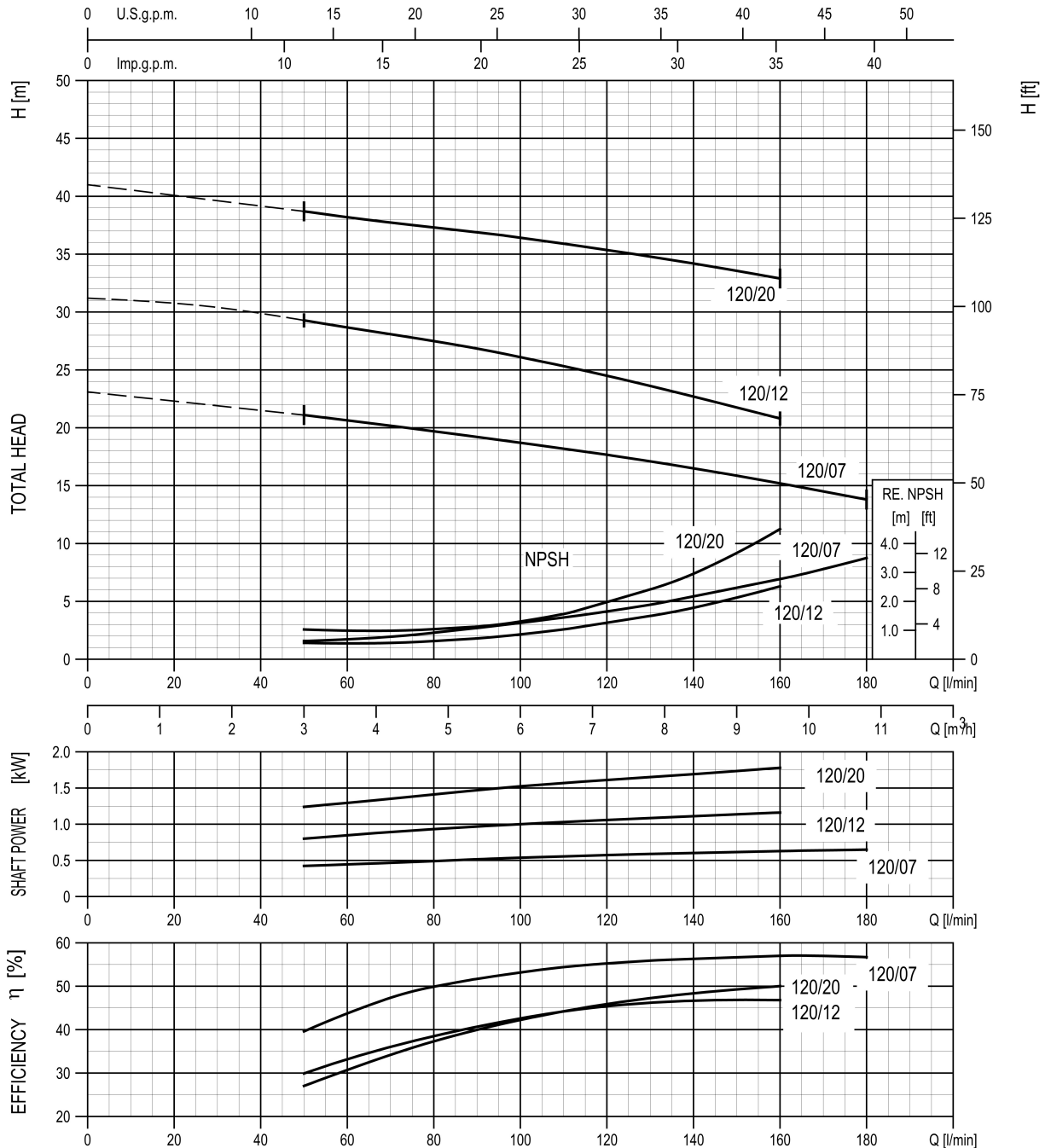
Rotation speed ≈ 2800 min⁻¹
 Test standard: ISO 9906:2012 – Grade 3B

CD 90/10 MEI > 0.40 - Impeller diameter = 157 mm



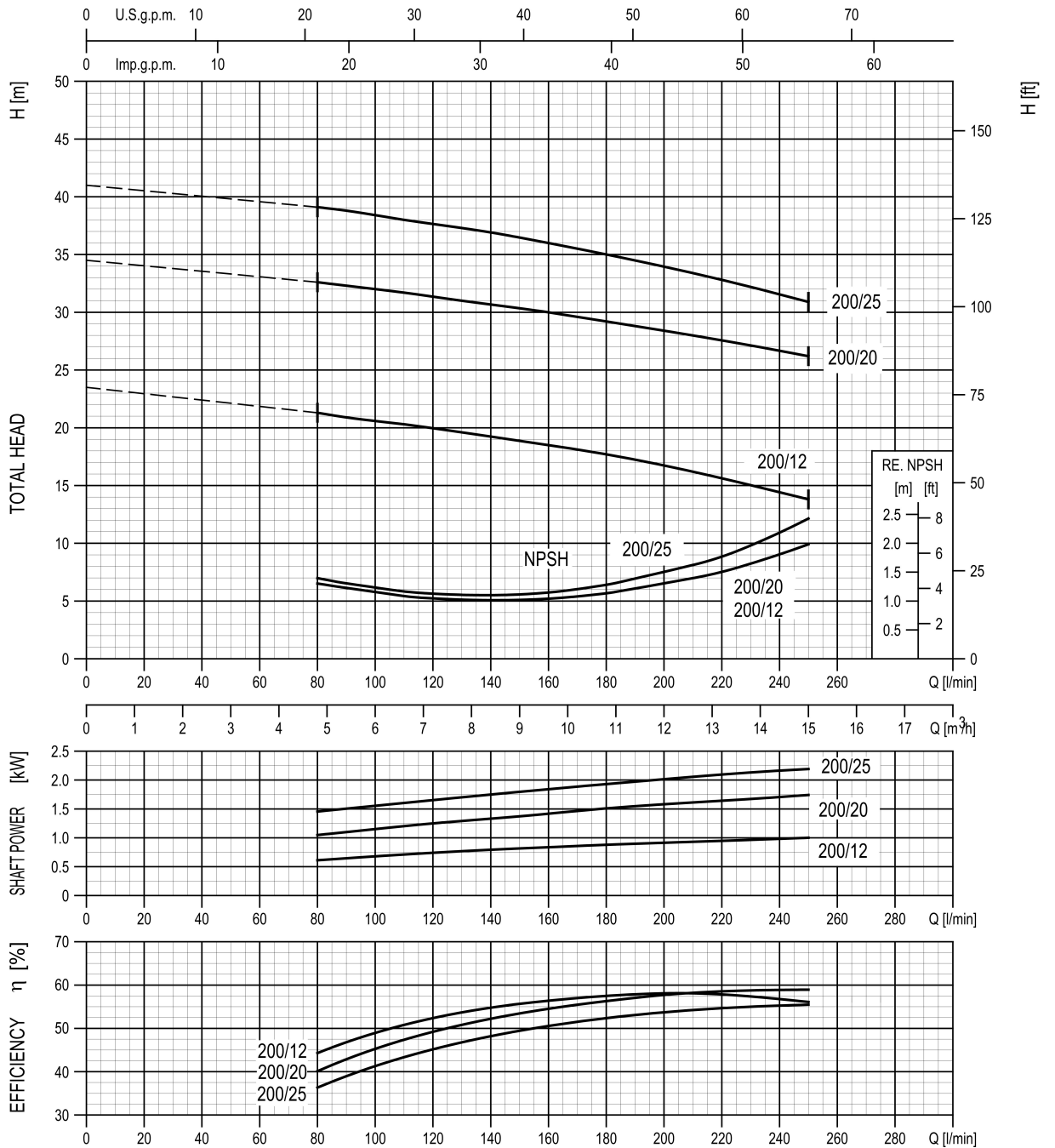
Rotation speed $\approx 2800 \text{ min}^{-1}$
 Test standard: ISO 9906:2012 – Grade 3B

CD 120/07 MEI > 0.70 - Impeller diameter = 132 mm
CD 120/12 MEI > 0.40 - Impeller diameter = 157 mm
CD 120/20 MEI > 0.70 - Impeller diameter = 176 mm



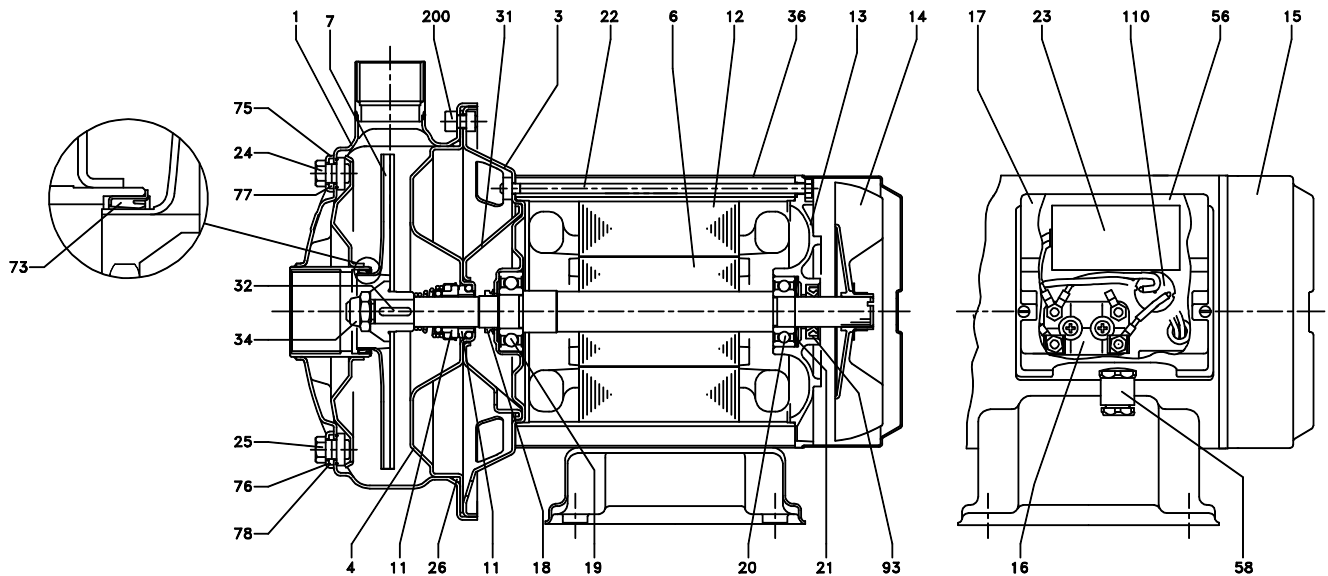
Rotation speed $\approx 2800 \text{ min}^{-1}$
 Test standard: ISO 9906:2012 – Grade 3

CD 200/12 MEI > 0.50 - Impeller diameter = 132 mm
CD 200/20 MEI > 0.60 - Impeller diameter = 157 mm
CD 200/25 MEI > 0.50 - Impeller diameter = 176 mm



Rotation speed $\approx 2800 \text{ min}^{-1}$
 Test standard: ISO 9906:2012 – Grade 3B

SECTIONAL VIEW

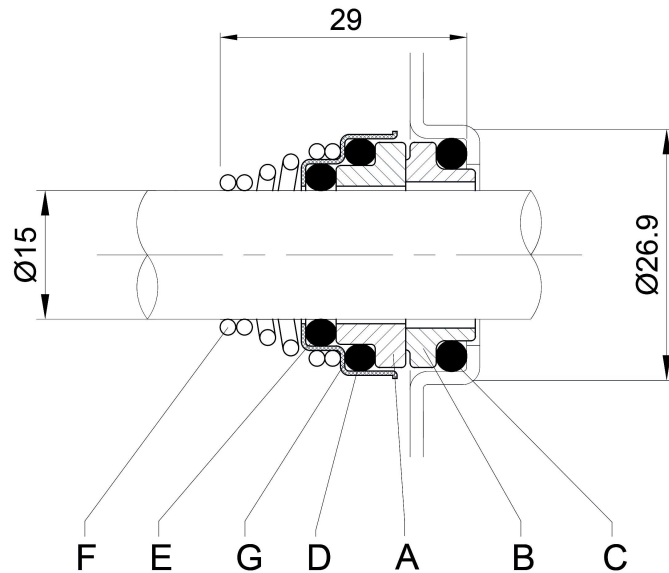


N°	PART NAME	MATERIAL	Q.TY
1	Casing	AISI 304	1
3	Motor bracket	AISI 304	1
4	Casing cover	AISI 304	1
6	Shaft w ith rotor	AISI 303 (Wet extension)	1
7	Impeller	AISI 304	1
11	Mechanical seal [4]	Ceramic/Carbon/NBR	1
12	Motor frame w ith stator	-	1
13	Motor cover	Aluminium	1
14	Fan	PA	1
15	Fan cover	AISI 304	1
16	Terminal board	-	1
17	Terminal box cover	PA66 glass fibre reinforced class V-0	1
18	Splash ring	NBR	1
19	Pump side ball bearing	-	1
20	Fan side ball bearing	-	1
21	Adjusting ring	Steel C70	1
22	Tie rod	Fe 420 Galvanized	4
23	Capacitor [1]	-	1
24	Priming plug	AISI 304	1

N°	PART NAME	MATERIAL	Q.TY
25	Drain plug	AISI 304	1
26	O-ring [2]	NBR	1
31	Thrust flange	AISI 304	1
32	Key	AISI 316	1
34	Impeller nut	Stainless steel A2-70	1
36	Motor casing	AISI 304	1
56	Box gasket	NBR	1
58	Cable entry	-	1
73	Casing ring [3]	EPDM	1
75	Washer	AISI 304	1
76	Washer	AISI 304	1
77	O-ring [2]	NBR	1
78	O-ring [2]	NBR	1
93	Lip seal	NBR	1
110	Protector [1]	-	1
200	Screw	Stainless steel A2-70	8

- [1] Only for single phase
 [2] FPM for H-HS-HW-HSW
 EPDM for E and Special Mechanical Seal
 [3] FPM for H-HS-HW-HSW
 [4] See **MECHANICAL SEAL** pages 303-304

MECHANICAL SEAL



STANDARD
+
"L" version

REF	PART NAME	MATERIAL
A	Rotary seal ring	Ceramic
B	Stationary seal ring	Carbon graphite
C	O-Ring	NBR
D	O-Ring	NBR
E	O-Ring	NBR
F	Self-driving spring	AISI 316
G	Frame	AISI 304

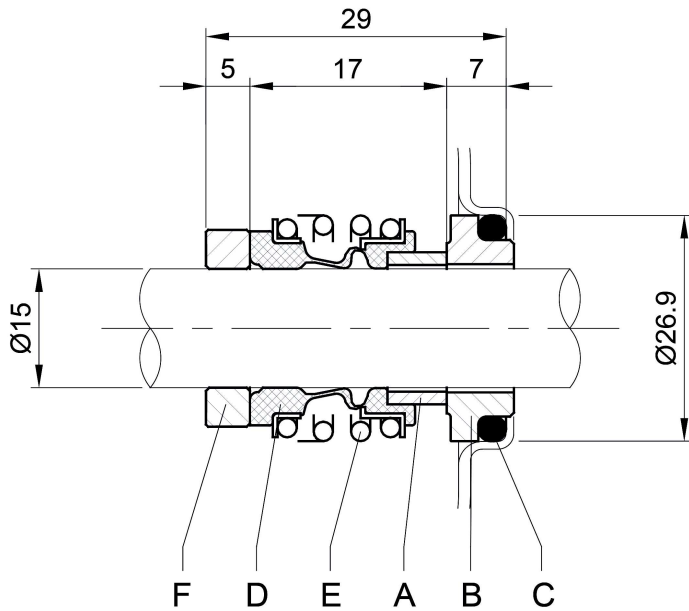
REF	PART NAME	MATERIAL			
		H	HW	HSW	E
A	Rotary seal ring	Ceramic	Tungsten carbide	Silicon carbide	Ceramic
B	Stationary seal ring	Carbon graphite	Tungsten carbide	Tungsten carbide	Carbon graphite
C	O-Ring	FPM	FPM	FPM	EPDM
D	O-Ring	FPM	FPM	FPM	EPDM
E	O-Ring	FPM	FPM	FPM	EPDM
F	Self-driving spring	AISI 316	AISI 316	AISI 316	AISI 316
G	Frame	AISI 304	AISI 316	AISI 316	AISI 316

OPTIONAL

REF	PART NAME	MATERIAL			
		Q1U3EGG	VAEGG	U3U3EGG	U3CEGG
A	Rotary seal ring	Silicon carbide	Ceramic	Tungsten carbide	Tungsten carbide
B	Stationary seal ring	Tungsten carbide	Metallised carbon	Tungsten carbide	special Carbon
C	O-Ring	EPDM	EPDM	EPDM	EPDM
D	O-Ring	EPDM	EPDM	EPDM	EPDM
E	O-Ring	EPDM	EPDM	EPDM	EPDM
F	Self-driving spring	AISI 316	AISI 316	AISI 316	AISI 316
G	Frame	AISI 316	AISI 316	AISI 316	AISI 316

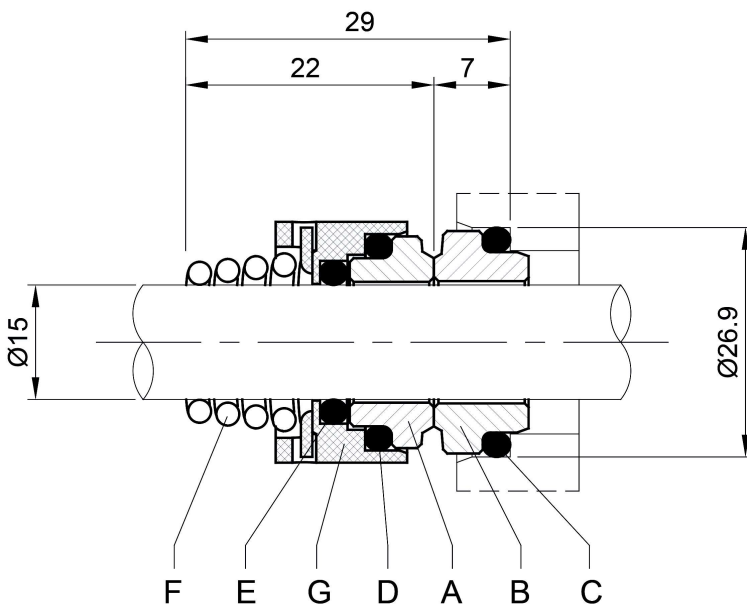
SPECIAL

MECHANICAL SEAL



OPTIONAL

REF	PART NAME	MATERIAL HS
A	Rotary seal ring	Silicon carbide
B	Stationary seal ring	Silicon carbide
C	O-Ring	FPM
D	Bellows	FPM
E	Frame + Spring	AISI 316
F	Spacer ring	AISI 316



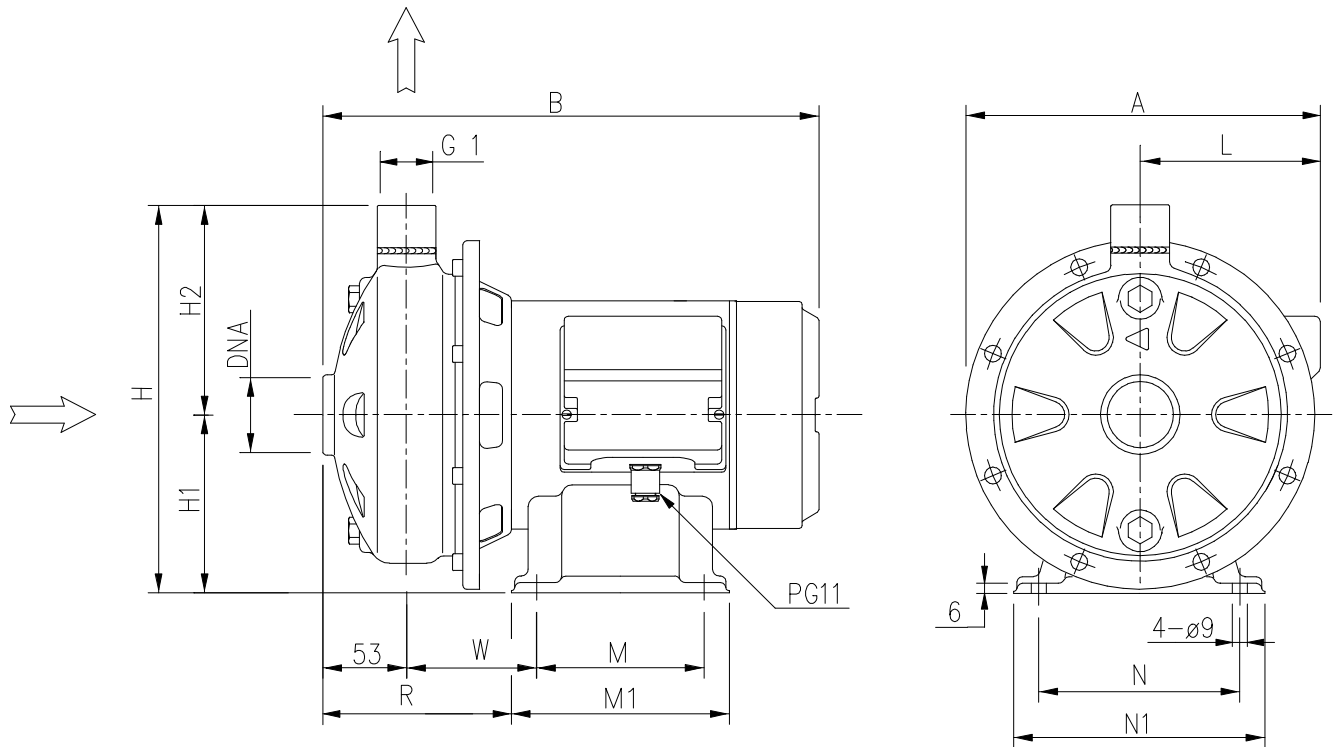
SPECIAL

REF	PART NAME	MATERIAL Q1AEGG
A	Rotary seal ring	Silicon carbide
B	Stationary seal ring	Metallised carbon
C	O-Ring	EPDM
D	O-Ring	EPDM
E	O-Ring	EPDM
F	Self-driving spring	AISI 316
G	Frame	AISI 316

BEARINGS

Pump type		Ball Bearing			
Single Phase	Three Phase	Pump side		Fan side	
		[1~]	[3~]	[1~]	[3~]
CDM 70/05	CD 70/05	6203	6203	6202	6202
CDM 70/07	CD 70/07	6203	6203	6202	6202
CDM 70/12	CD 70/12	6203	6203	6202	6202
CDM 90/10	CD 90/10	6203	6203	6202	6202
CDM 120/07	CD 120/07	6203	6203	6202	6202
CDM 120/12	CD 120/12	6203	6203	6202	6202
CDM 120/20	CD 120/20	6204	6204	6203	6203
CDM 200/12	CD 200/12	6203	6203	6202	6202
CDM 200/20	CD 200/20	6204	6204	6203	6203
-	CD 200/25	-	6204	-	6203

PUMP

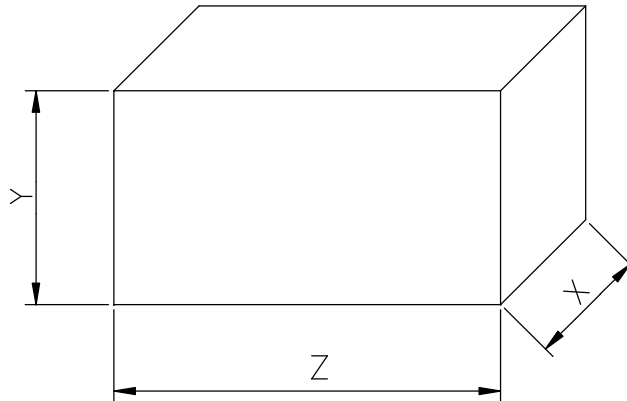


Pump type		Dimensions [mm]																Weight [kgf]			
Single Phase	Three Phase	A		B		H	H1	H2	L		M		M1		N	N1	R	W	DNA	[1~]	[3~]
		[1~]	[3~]	[1~]	[3~]				[1~]	[3~]	[1~]	[3~]	[1~]	[3~]							
CDM 70/05	CD 70/05	209	208	298	298	229.5	106	123.5	105	104	100	100	130	130	120	150	115.5	77.5	G1"1/4	9	9.5
CDM 70/07	CD 70/07	209	208	328	328	229.5	106	123.5	105	104	100	100	130	130	120	150	115.5	77.5	G1"1/4	10	11.5
CDM 70/12	CD 70/12	208	208	338	338	229.5	106	123.5	104	104	100	100	130	130	120	150	135.5	97.5	G1"1/4	13.5	13.7
CDM 90/10	CD 90/10	209	208	338	328	229.5	106	123.5	105	104	100	100	130	130	120	150	130.5	92.5	G1"1/4	12	11.6
CDM 120/07	CD 120/07	209	208	328	328	229.5	106	123.5	105	104	100	100	130	130	120	150	115.5	77.5	G1"1/4	10	12
CDM 120/12	CD 120/12	208	208	338	338	229.5	106	123.5	104	104	100	100	130	130	120	150	135.5	97.5	G1"1/4	12.5	12.9
CDM 120/20	CD 120/20	232	232	376	376	250	118	132	116	116	120	120	150	150	140	170	133	95	G1"1/4	17	18.3
CDM 200/12	CD 200/12	208	208	338	338	229.5	106	123.5	104	104	100	100	130	130	120	150	135.5	97.5	G1"1/2	12	12.6
CDM 200/20	CD 200/20	213	213	376	376	229.5	106	123.5	109	109	120	120	150	150	140	170	133	95	G1"1/2	16	17.5
-	CD 200/25	-	232	-	376	250	118	132	-	116	-	120	-	150	140	170	138	100	G1"1/2	-	18.3

[1~] Single phase

[3~] Three phase

PACKING



Pump type		Packing [mm]				Weight [kgf]	
Single Phase	Three Phase	X	Y	Z		[1~]	[3~]
				[1~]	[3~]		
CDM 70/05	CD 70/05	239	250	395	362	9.5	10.4
CDM 70/07	CD 70/07	239	250	395	362	11	12.3
CDM 70/12	CD 70/12	244	279	395	382	14.5	14.6
CDM 90/10	CD 90/10	239	250	395	362	13	12.4
CDM 120/07	CD 120/07	239	250	395	362	11	12.8
CDM 120/12	CD 120/12	239	250	395	362	13	13.7
CDM 120/20	CD 120/20	252	279	445	402	18	19.2
CDM 200/12	CD 200/12	239	250	395	362	13	13.4
CDM 200/20	CD 200/20	252	279	445	402	17	18.5
-	CD 200/25	252	279	-	402	-	19.3

[1~] Single phase
 [3~] Three phase

MOTOR DATA

Pump type	Power		Efficiency	Capacitor		Efficiency (% load)				Input [kW]	Full load current		Locked rotor current [A]
	[kW]	[HP]		[μF]	[V]	η %			cos-φ		[A]		
						50%	75%	100%			230 V		
CDM 70/05	0.45	0.6	IE2	14	450	55.7	65.6	72.5	0.94	0.65	3.0	13.4	
CDM 70/07	0.75	1.0	IE2	25	450	61.0	70.8	79.2	0.93	0.95	4.4	24.0	
CDM 70/12	0.9	1.2	IE2	31.5	450	67.0	75.3	79.0	0.92	1.15	5.4	31.3	
CDM 90/10	0.9	1.2	IE2	31.5	450	67.0	75.3	79.0	0.92	1.15	5.4	31.3	
CDM 120/07	0.75	1.0	IE2	25	450	61.0	70.8	79.2	0.93	0.95	4.4	24.0	
CDM 120/12	0.9	1.2	IE2	31.5	450	67.0	75.3	79.0	0.92	1.15	5.4	31.3	
CDM 120/20	1.5	2.0	IE2	40	450	70.2	77.5	81.8	0.93	1.93	8.9	64.8	
CDM 200/12	0.9	1.2	IE2	31.5	450	67.0	75.3	79.0	0.92	1.15	5.4	31.3	
CDM 200/20	1.5	2.0	IE2	40	450	70.2	77.5	81.8	0.93	1.93	8.9	64.8	

Pump type	Power		Efficiency	Efficiency (% load)			Input [kW]	Full load current		Locked rotor current	
	[kW]	[HP]		η %				[A]		[A]	
				50%	75%	100%		230 V	400 V	230 V	400 V
CD 70/05	0.37	0.5	IE3	75.1	78.5	78.0	0.71	2.4	1.4	12.7	7.3
CD 70/07	0.55	0.75	IE3	80.2	82.8	82.9	0.91	3.0	1.7	20.5	11.8
CD 70/12	0.9	1.2	IE3	81.7	83.1	82.4	1.34	4.3	2.5	28.8	16.6
CD 90/10	0.75	1.0	IE3	80.9	82.3	82.1	1.05	3.3	1.9	19.7	11.4
CD 120/07	0.55	0.75	IE3	80.2	82.8	82.9	0.91	3.0	1.7	20.5	11.8
CD 120/12	0.9	1.2	IE3	81.7	83.1	82.4	1.34	4.3	2.5	28.8	16.6
CD 120/20	1.5	2.0	IE3	84.2	86.8	86.9	2.01	7.1	4.1	66.6	38.4
CD 200/12	0.9	1.2	IE3	81.7	83.1	82.4	1.34	4.3	2.5	28.8	16.6
CD 200/20	1.5	2.0	IE3	84.2	86.8	86.9	2.01	7.1	4.1	66.6	38.4
CD 200/25	1.85	2.5	IE3	86.2	87.0	86.0	2.55	8.2	4.7	66.6	38.43

NOISE DATA

Pump type		L _{pA} - dB(A) *
Single Phase	Three Phase	
CDM 70/05	CD 70/05	<70
CDM 70/07	CD 70/07	
CDM 70/12	CD 70/12	
CDM 90/10	CD 90/10	
CDM 120/07	CD 120/07	
CDM 120/12	CD 120/12	
CDM 120/20	CD 120/20	
CDM 200/12	CD 200/12	
CDM 200/20	CD 200/20	
-	CD 200/25	

* Mean value of several measures at 1m distance around



EBARA Pumps Europe S.p.A.
Via Torri di Confine 2/1 int. C
36053 Gambellara (Vicenza), Italy
Phone +39 0444 706811
ebarapumps.epe@ebaracom
www.ebaraeurope.com

EBARA Pumps Europe S.p.A. GERMANY
Elisabeth-Selbert-Straße 2
63110 Rodgau, Germany
Phone +49 (0) 6106-660 99-0
info.epde@ebaracom

EBARA Pumps South Africa (PTY) LTD
26 Kyalami Boulevard,
Kyalami Business Park, 1684, Midrand,
Gauteng, South Africa
Phone +27 11 466 1844
ebaraeurope@ebaracom

EBARA Pumps Europe S.p.A. UK
Unit A, Park 34
Collett Way - Didcot
Oxfordshire - OX11 7WB, United Kingdom
Phone +44 1895 439027
marketing.epuk@ebaracom

EBARA Pumps Europe S.p.A. FRANCE
122, Rue Pasteur
69780 Toussieu, France
Phone: +33 04 72 76 94 82
mktg.epr@ebaracom

EBARA Pumps East Africa
Delta Corner Tower 2, 13th Floor, Office 1308,
Chiromo Road, Westlands
P.O. Box 13796-00800, Nairobi
Phone: +254(0)722913119
info.epea@ebaracom

EBARA POMPY POLSKA Sp. z o.o.
ul. Działkowa 115 A
02-234 Warszawa, Poland
Phone +48 22 3909920
marketing.epl@ebaracom

EBARA Pumps RUS Ltd.
Prospekt Andropov 18, building 7, floor 11
115432 Moscow
Phone +7 499 6830133
mktg.epr@ebaracom