

POMPE LALX CON MOLTIPLICATORE

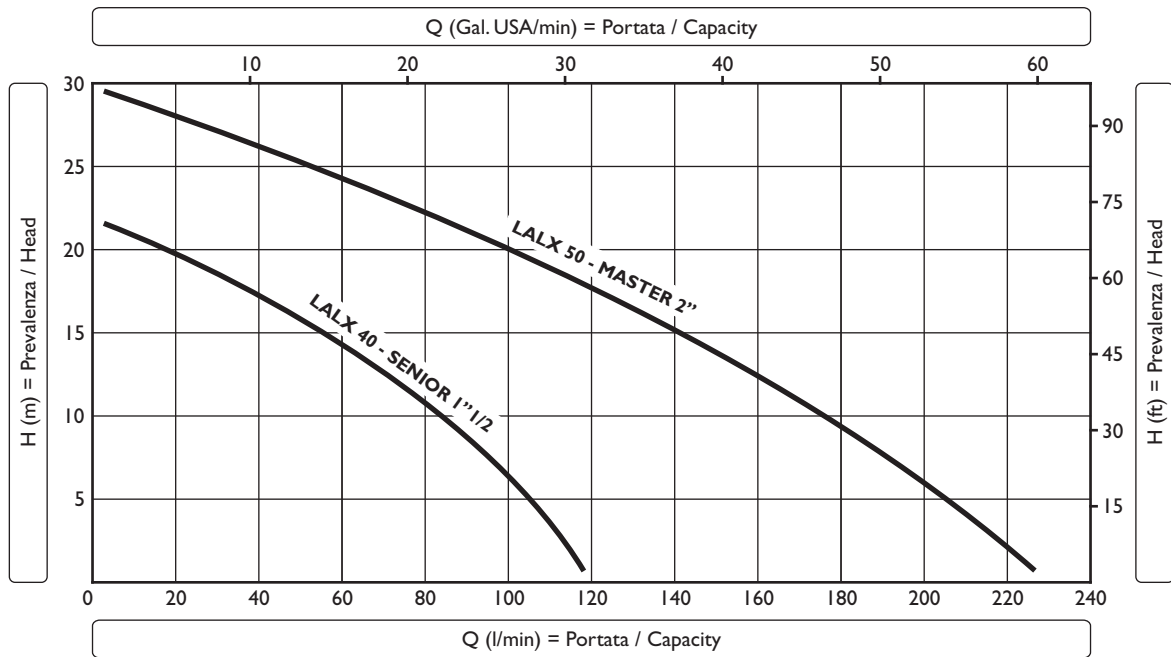
LALX PUMP TYPE WITH OVERDRIVE



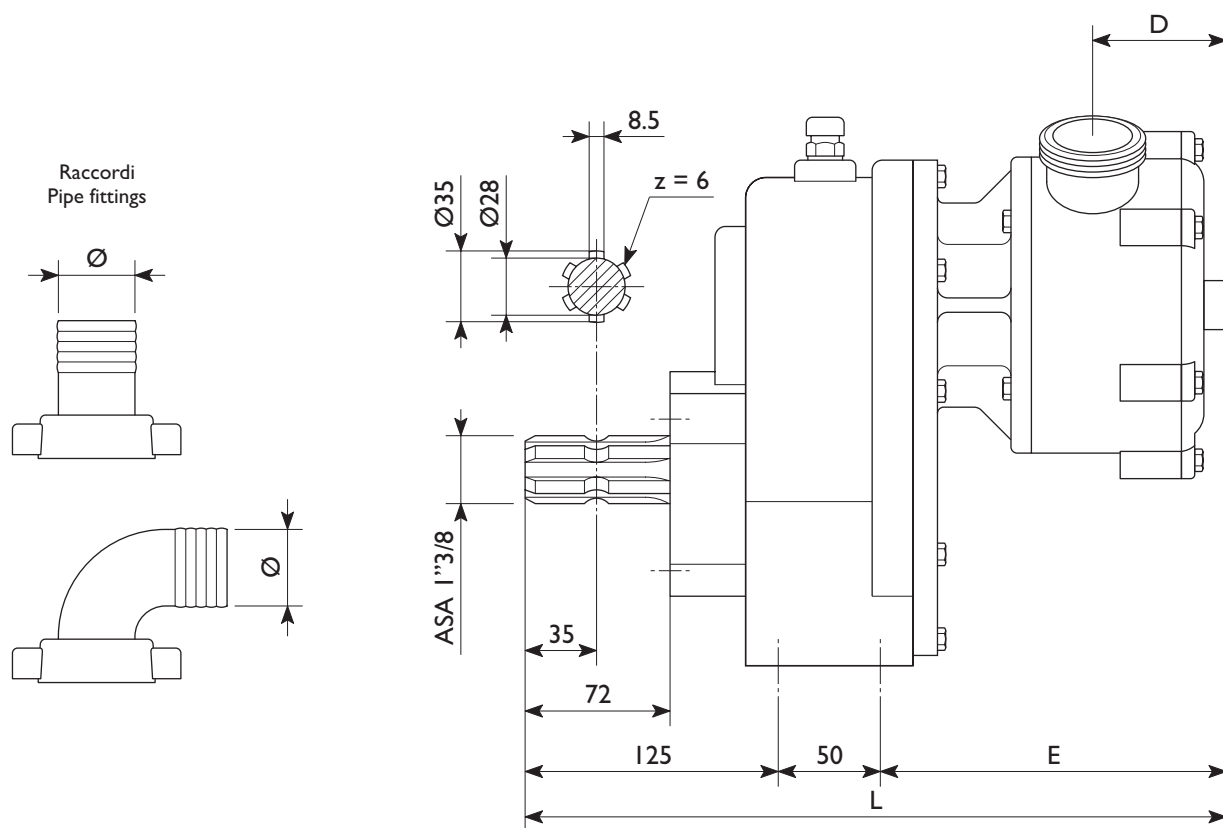
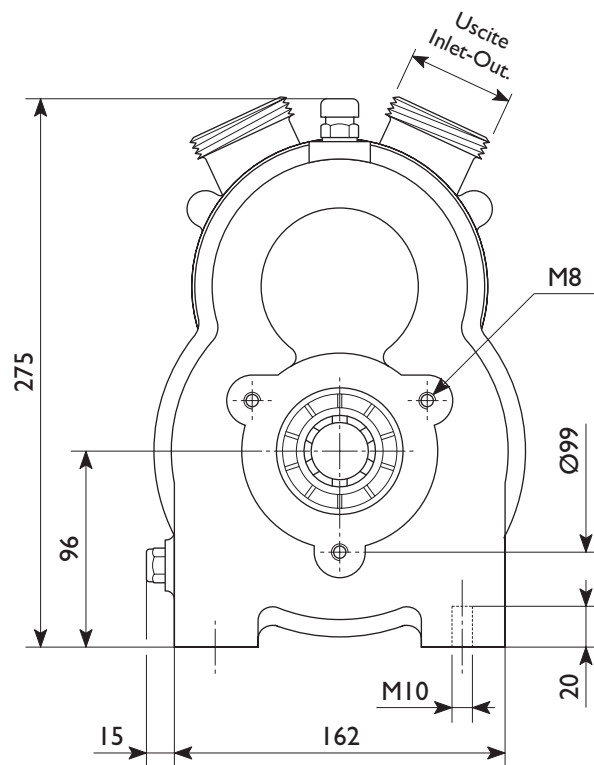
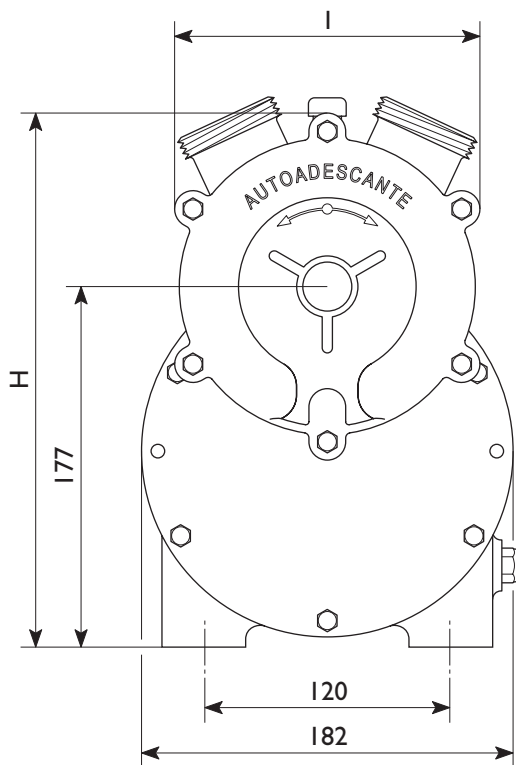
LALX 40-50



LALX SENIOR 1"1/2-MASTER 2"



Tipo Type	Codice Code	Materiale Material	Peso Weight	Giri/min Rpm	H (m) = Prevalenza / Head - Q (l/min) = Portata / Capacity															
					0	5	10	12	15	18	22	28	30	H						
LALX 40	51424000	Bronzo/Bronze	16,5 kg	1400	120	110	85	80	55	45	0									
LALX 50	51425000	Bronzo/Bronze	20,2 kg	1400	230	210	175	155	140	125	85	45	0							
LALX SENIOR 1"1/2	60424000	Inox AISI 316	16,4 kg	1400	120	110	85	80	55	45	0									
LALX MASTER 2"	60425000	Inox AISI 316	20,1 kg	1400	230	210	175	155	140	125	85	45	0							



Tipo Type	Uscite Inlet-Outlet	Raccordi Pipe fittings	Dimensioni (mm) / Dimensions (mm)				
			D	E	H	I	L
LALX 40	BSP-M 1"1/2	Ø40 - Ø45	67	171	86	150	346
LALX 50	BSP-M 2"	Ø50	90	203	103	185	378
LALX SENIOR 1"1/2	BSP-M 1"1/2 *	Ø40 **	76	181	86	167	356
LALX MASTER 2"	BSP-F 2" *	Ø50 **	94	208	103	205	383

* = Uscite standard BSP (Gas), altre uscite disponibili p.20 / Standard inlet-outlet BSP (Gas), different inlet-outlet are available see p.20

** = Raccordi in acciaio inox o nylon a richiesta / Stainless steel or nylon pipe fittings on request